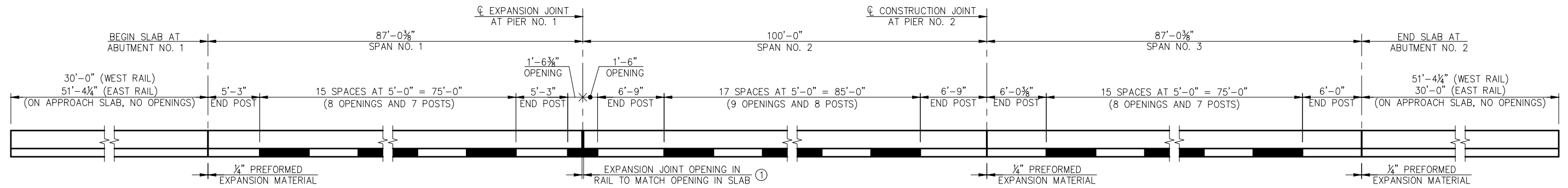


REVISIONS		
REV. NO.	DESCRIPTION	DATE



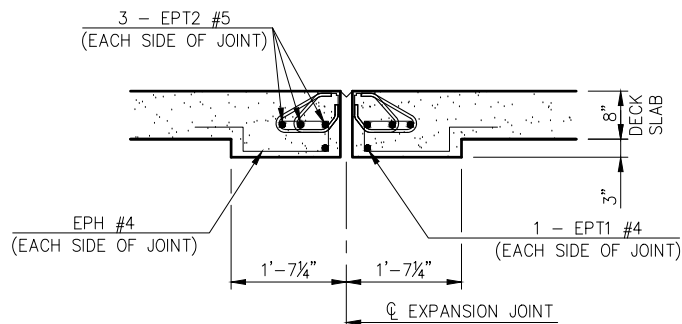
TRAFFIC RAIL LAYOUT

(FOR TRAFFIC RAIL DETAILS NOT SHOWN, SEE STD. TR4-2)

① FOR EXPANSION JOINT OPENING IN DECK SLAB AND CONCRETE TRAFFIC RAIL (TR4), SEE TABLE ON "DETAILS OF SUPERSTRUCTURE (SHEET NO. 2 OF 7)."

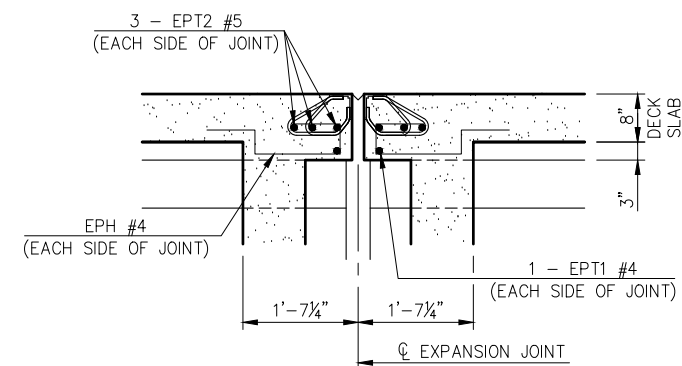
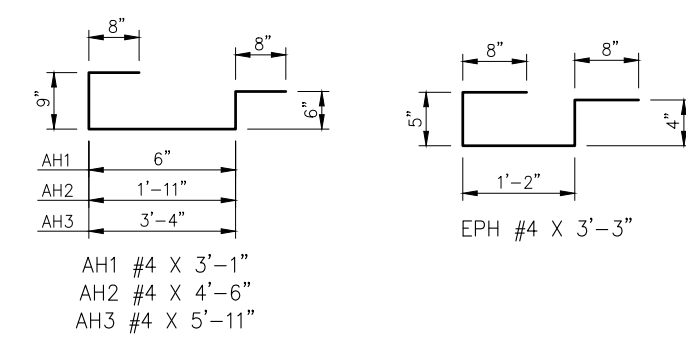
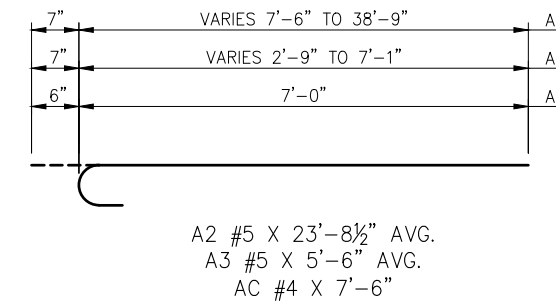
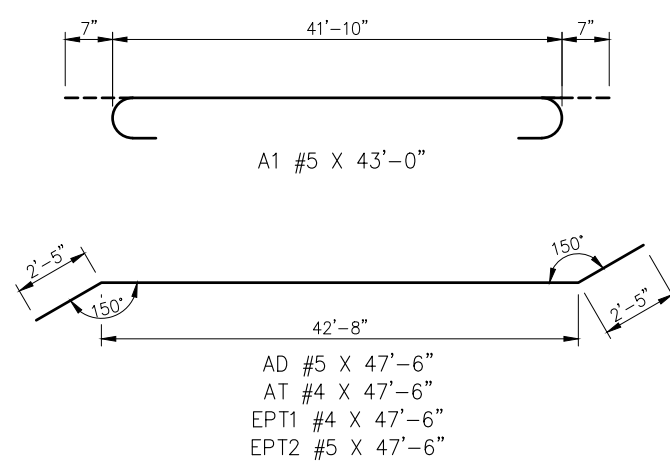
SUPERSTRUCTURE BAR LIST					
(EXCLUDING END & INTERMEDIATE DIAPHRAGM REINFORCING) ⑩					
MARK	SIZE	NO.	FORM	LENGTH	VARIANCE
EPOXY COATED REINFORCING					
A1	#5	419	BNT.	43'-0"	-
② A2	#5	222	BNT.	23'-8 1/2" AVG.	8'-1" TO 39'-4"
③ A3	#5	66	BNT.	5'-6" AVG.	3'-4" TO 7'-8"
AC	#4	1,054	BNT.	7'-6"	-
AD	#5	10	BNT.	47'-6"	-
AH1	#4	16	BNT.	3'-1"	-
AH2	#4	10	BNT.	4'-6"	-
AH3	#4	64	BNT.	5'-11"	-
AS	#4	86	BNT.	5'-0"	-
AT	#4	4	BNT.	47'-6"	-
B1	#5	419	STR.	41'-10"	-
④ B2	#5	252	STR.	20'-11 1/2" AVG.	3'-2" TO 38'-9"
⑤ EB1	#5	64	STR.	89'-1"	-
⑥ EB2	#5	64	STR.	194'-1"	-
EPH	#4	86	BNT.	3'-3"	-
EPT1	#4	2	BNT.	47'-6"	-
EPT2	#5	6	BNT.	47'-6"	-
ET1	#4	43	STR.	88'-7"	-
ET2	#4	43	STR.	192'-7"	-
FPH	#4	38	BNT.	5'-1"	-
FPT	#4	2	STR.	42'-4"	-
⑨ SR1	#5	1,060	BNT.	4'-1"	-

- ② 6 SETS OF 37 BARS
- ③ 6 SETS OF 11 BARS
- ④ 6 SETS OF 42 BARS
- ⑤ LENGTH INCLUDES ONE 2'-6" LAP, STAGGER LAPS
- ⑥ LENGTH INCLUDES THREE 2'-6" LAPS, STAGGER LAPS
- ⑦ LENGTH INCLUDES ONE 2'-0" LAP, STAGGER LAPS
- ⑧ LENGTH INCLUDES THREE 2'-0" LAPS, STAGGER LAPS
- ⑨ SEE STD. TR4-2 FOR SR1 BAR BEND DIAGRAM
- ⑩ SEE "DETAILS OF SUPERSTRUCTURE (SHEET NO. 7 OF 7)" FOR END AND INTERMEDIATE DIAPHRAGM REINFORCING.



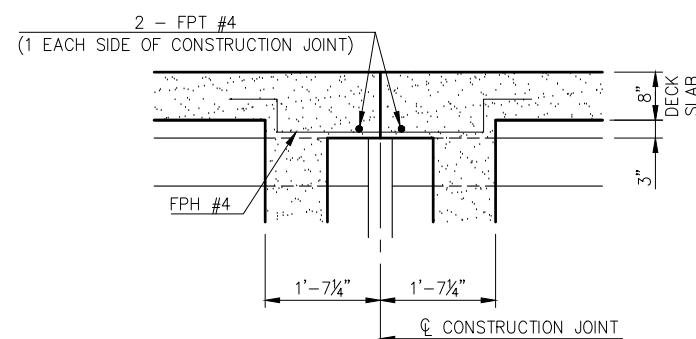
SECTION D

(TYPICAL AT OVERHANGS)
ADDITIONAL REINFORCING AT JOINT SHOWN. MAIN DECK SLAB REINFORCING OMITTED FOR CLARITY.



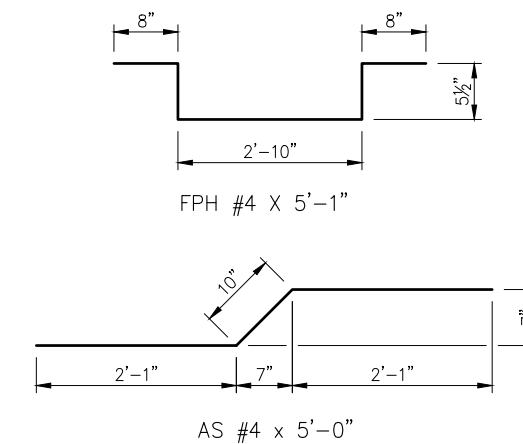
SECTION E

(TYPICAL BETWEEN BEAMS)
ADDITIONAL REINFORCING AT JOINT SHOWN. MAIN DECK SLAB REINFORCING OMITTED FOR CLARITY.



SECTION F

(TYPICAL BETWEEN BEAMS)
ADDITIONAL REINFORCING AT JOINT SHOWN. MAIN DECK SLAB REINFORCING OMITTED FOR CLARITY.



DESIGN	MBS	5/14	SH-28 OVER SALT CREEK	NOWATA COUNTY
DETAIL	SLP	5/14	BRIDGE "A"	
CHECK	MBS	3/15		
GUY ENGINEERING SERVICES, INC.			STATE JOB PIECE NO. 28857(04)	SHEET NO. B023

DETAILS OF SUPERSTRUCTURE (SHEET NO. 6 OF 7)

Monday, July 31, 2017 4:17:59 PM V:\12-716E SH-28 Salt Creek JP 28857\STRUCTURAL\DWG\Salt Creek - SUPERSTRUCTURE.dwg